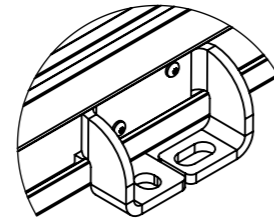
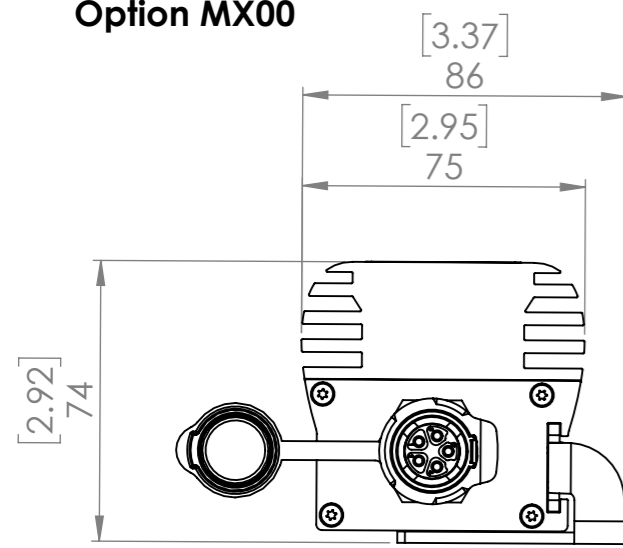
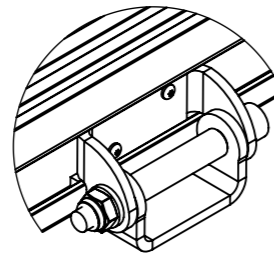
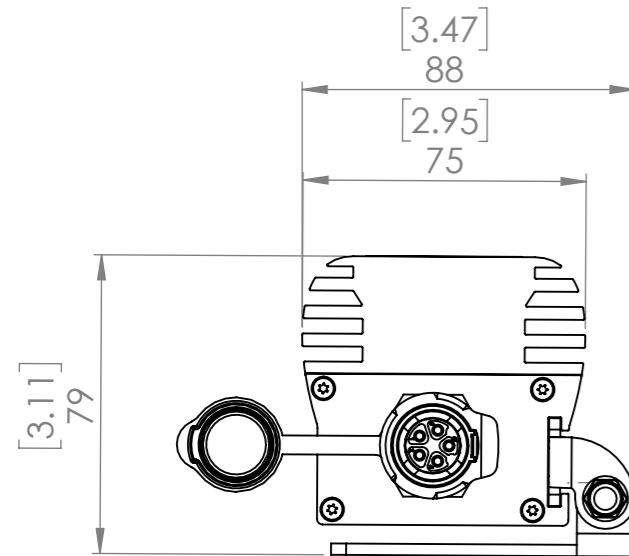


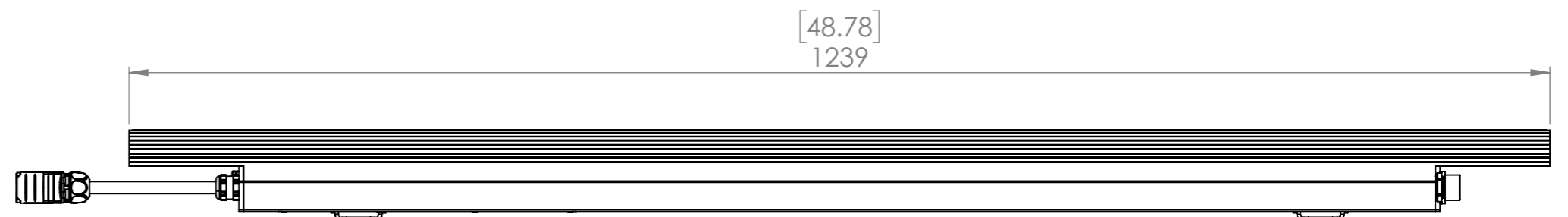
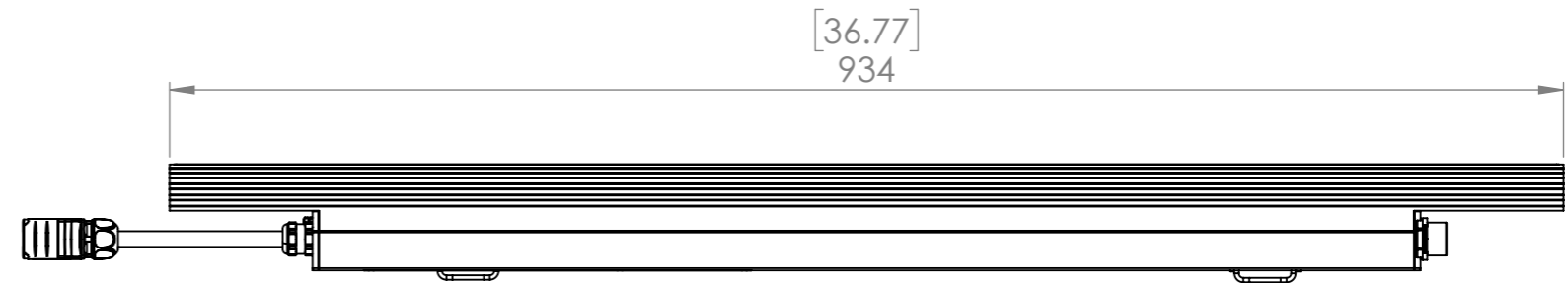
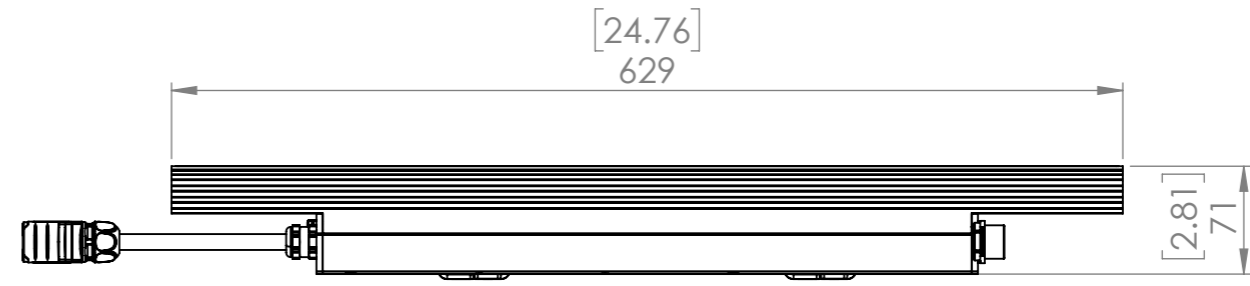
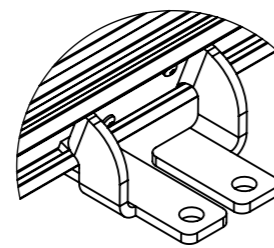
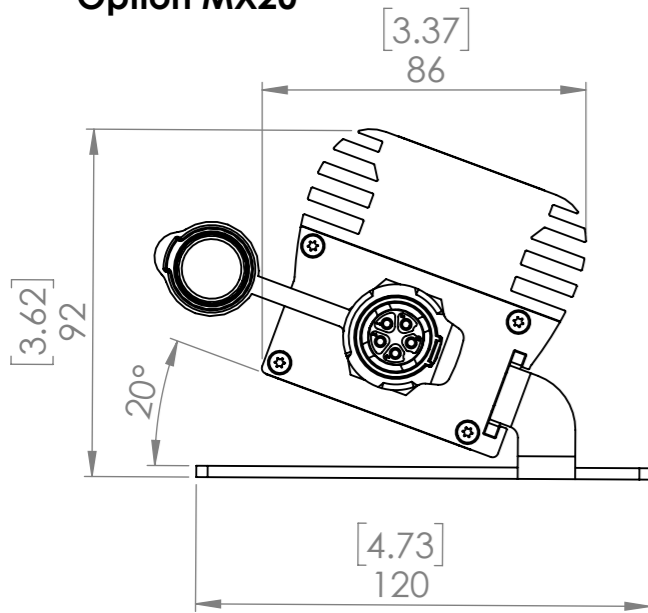
Option MX00



Option MSH



Option MX20



Lindberghstrasse 15
86343 Königsbrunn

Tel.: +49 8231 95787 0
info@biontechnologies.com
www.biontechnologies.com

Description	linea m Y03
Date/Revision	11.07.2022 / 02
Scale	side view 1:2 front view 1:5

Dimensions are in **millimeters [inch]**
All product specifications are subject to change without prior notice.

NOTE: All copyrights, trademarks, patents and other rights in connection herewith are expressly reserved to BION TECHNOLOGIES GMBH and no license is created or granted hereby.