

tellus point round xs connection box

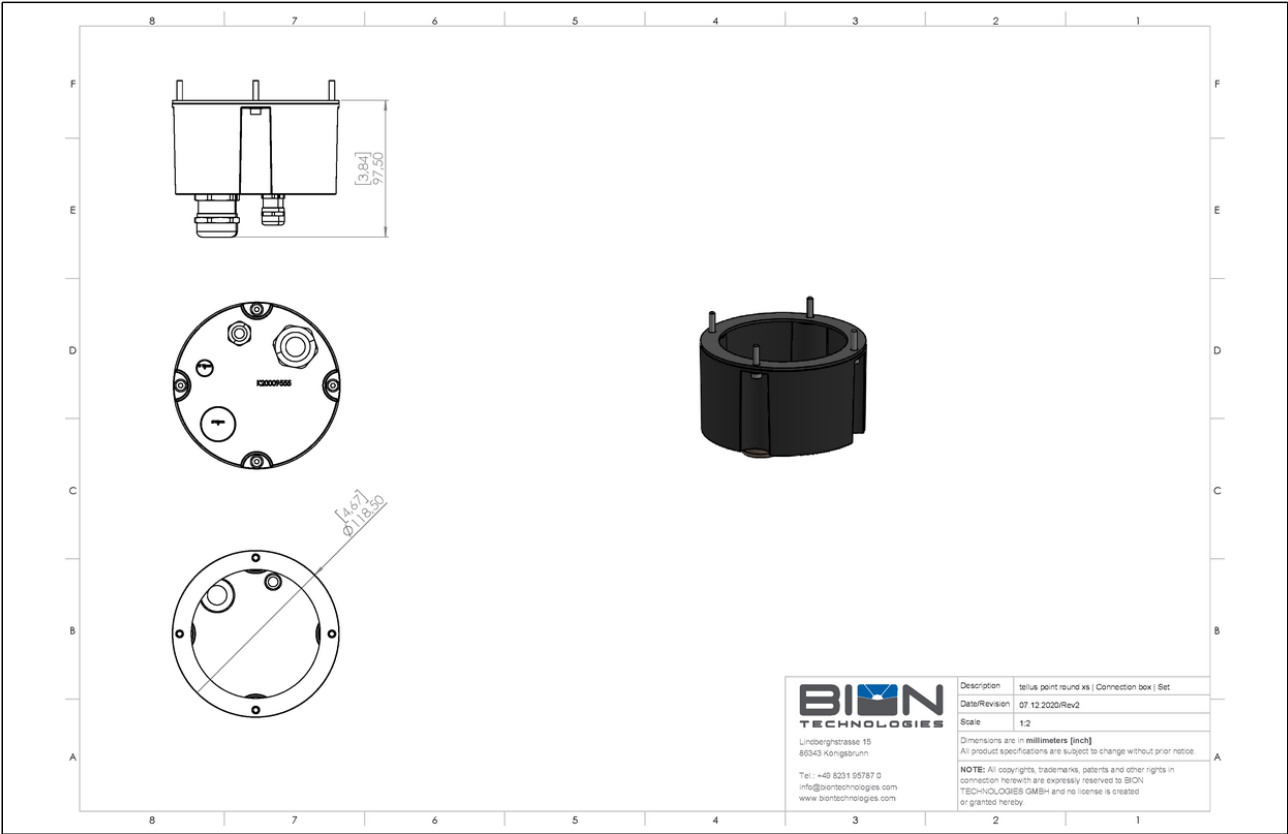
TECHNICAL DATASHEET

tellus point round xs connection box

Technical Data

| | |
|------------|---|
| Dimensions | <p>Ø 119 mm x 98 mm [D x H] Ø 4.70 in x 3.84 in [D x H]</p> <p>2x Cable gland per connection box, range: 9 - 17mm / 0.354 - 0.669 in (M25x1.5)</p> |
| <hr/> | |
| Housing | PE-HD |

Engineering Drawing



| | | |
|---------|----------|------|
| Project | Fixture# | Date |
| | | Firm |

Ordering Information

Choose the option that suits your needs and write its corresponding code on the appropriate line to form the product code.

TEL-CON- _____ - Y01 _____
WIRING
CONFIGURATION

| WIRING CONFIGURATION | |
|----------------------|-----------------------|
| OLP | Only Power IN / OUT |
| PAD | Power + Data IN / OUT |

Sample Order Code: TEL-CON-OLP-Y01

* Project-specific options are available - Please contact our Sales Representative for further information.



Lindberghstrasse 15
86343 Koenigsbrunn
Tel: +49 (0)8231/95787-0
Fax: +49 (0)8231/95787-29
www.biontechnologies.com
info@biontechnologies.com

YouTube: <http://www.youtube.com/user/BIONTECHNOLOGIES>

© 2023, BION TECHNOLOGIS GMBH
All rights reserved / Subject to change / Specifications may change without notice