

**funis m surface round**  
pureWhite

TECHNICAL DATASHEET

# funis m surface round

## pureWhite

### Technical Data

Dimensions	Body Luminaire: Diameter: 100 mm / 3.94 in  Monopoint: Diameter: 120 mm / 4.72 in Length: 55mm / 2.17 in
Standard Unit Lengths	155 mm, 310 mm, 465 mm 6.11 in, 12.21 in, 18.31 in
Fixture Typ	 pureWhite
Color Temperatures pureWhite	3000 K, 4000 K * Project-specific color temperature for pureWhite available.
Beam Angles	18°, 26°, 35°
Luminous Flux	1310 lm
Light Source	1 LED(s)
Color Rendering Index	R <sub>a</sub> >= 80  @ 2700 K / 3000 K R <sub>a</sub> > 90 and R <sub>a</sub> > 97 per Configuration available
LED-Binning	
MacAdam Ellipses Binning	3
Dimming	Non-dimmable   Dimmable (TRIAC)  CE: non-dimmable, dimmable via Triac AC ETLus: non-dimmable, dimmable via Triac AC cETL: non-dimmable
Input Voltage	Power supply: internal
Power Consumption	Max. 12 W
Protection Class	II
Inrush	10A @ 230VAC
Operating Temperature Range	-20 °C / +30 °C   -4 °F / +82 °F
Lumen Maintenance [L70]	50'000 h @ 25 °C / 77 °F
LED-Class	Class 2 LED-Product
Housing	Aluminium

Housing Color(s)



\* Others colors available upon request

Lens

PMMA

Ingress Protection

IP20

Environment



indoor

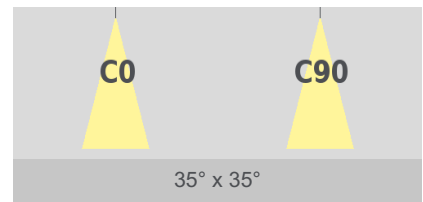
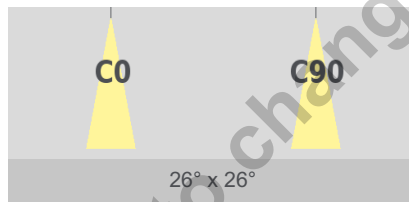
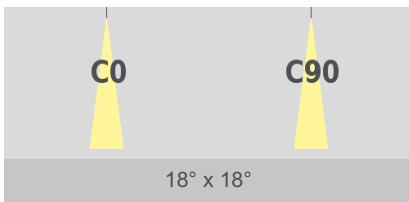
Warranty

24 Months

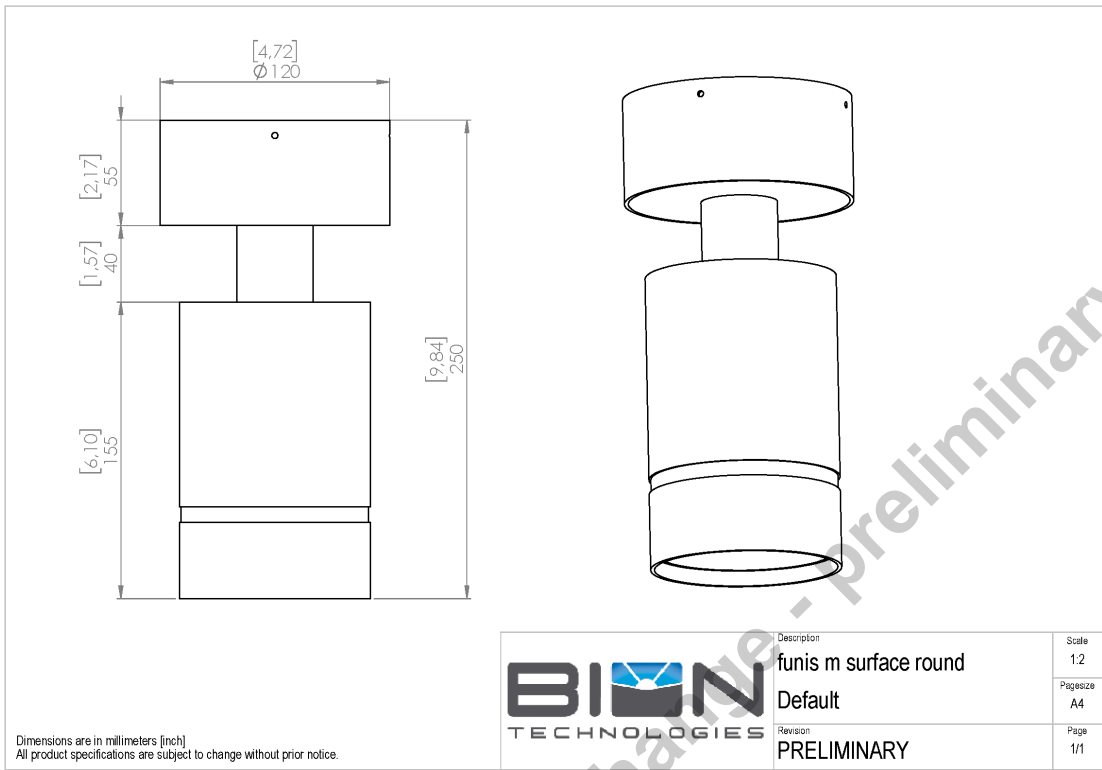
Certification



## Beam Angles



# Engineering Drawing



<b>Project</b>	<b>Fixture#</b>	<b>Date</b>
		<b>Firm</b>



## Ordering Information

Choose the option that suits your needs and write its corresponding code on the appropriate line to form the product code.

funis-m-sf-round- \_\_\_\_\_ - \_\_\_\_\_ - \_\_\_\_\_ - \_\_\_\_\_ - \_\_\_\_\_ - \_\_\_\_\_ - \_\_\_\_\_ - Y01

TYP - LUMINOUS COLOR		DIMMING		FIXTURE LENGTH		BEAM ANGLE		VOLTAGE		HOUSING COLOR		GLOSS LEVEL		COLOR RENDERING INDEX	
<b>TYP - LUMINOUS COLOR</b>		<b>VOLTAGE</b>													
pW30	pureWhite - 3000 K	110V	90 - 135 VAC 50/60 Hz												
pW40	pureWhite - 4000 K	230V	180 - 264VAC 50/60 Hz												
		277V	277 VAC 50/60 Hz												
<b>DIMMING</b>		<b>HOUSING COLOR</b>													
ndim	Non-dimmable	WH	Signal white RAL 9003												
dim-TRIAC	Dimmable - TRIAC	JB	Jet black RAL 9005												
<b>FIXTURE LENGTH</b>		<b>HOUSING COLOR</b>													
1/155	155 mm / 6.1 in	PG	Dark grey RAL 9023												
1/310	310 mm / 12.2 in	GB	Grey brown RAL 8019												
1/465	465 mm / 18.31 in	GO	Gold RAL 1036												
<b>BEAM ANGLE</b>		<b>GLOSS LEVEL</b>													
18x18	18° x 18°	MA	Matt												
26x26	26° x 26°	HG	High Gloss Finished												
35x35	35° x 35°	<b>COLOR RENDERING INDEX</b>													
		RA80	CRI 80												
		RA97	CRI 97												

Sample Order Code: funis-m-sf-round-pW30-ndim-44x44-230V-WH-MA-RA80-Y01

\* Project-specific options are available - Please contact our Sales Representative for further information.

preliminary! - subject to change - preliminary!



Lindberghstrasse 15  
86343 Koenigsbrunn  
Tel: +49 (0)8231/95787-0  
Fax: +49 (0)8231/95787-29  
[www.biontechnologies.com](http://www.biontechnologies.com)  
[info@biontechnologies.com](mailto:info@biontechnologies.com)

YouTube: <http://www.youtube.com/user/BIONTECHNOLOGIES>

© 2013, BION TECHNOLOGIS is a brand of ONELED.DE GMBH  
All rights reserved / Subject to change / Specifications may change without notice